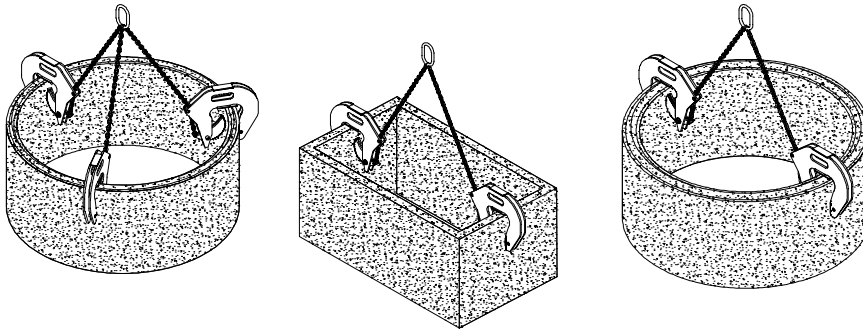


**Applications**

Hooks for lifting circular or rectangular concrete manholes – with their axle vertical.



**Description**

Hooks fitted with indexed surfaces to ensure a secure gripping of the load, even if a shock load is applied. Their use does not require any adjustment and the positioning is easier thanks to ergonomic handles.

**Functioning**

Use in set of 3 with a 3-legged chain sling for handling circular manholes.  
Maxi WLL: 1500 kg/ set of 3

Use in pairs with a 2-legged chain sling for handling circular or rectangular manholes.  
Maxi WLL: 1000 kg/ pair

Thanks to the handles, position evenly the hooks on the edge of the manhole to be lifted ; at 120° from one another (use in set of 3)/ facing each other (use in pairs). Lifting ensures the automatic closing of the hooks and load proportional clamping minimises the damage risk.

WLL (kg)	RB1.5 x 3		RB1.5 x 2	
	1500		1000	
Length of a sling's leg (mm)	1500	2100	1500	2100
Circular manhole Ø (mm)	600 - 2200	1500 - 3000	600 - 2200	1500 - 3000
Manhole length (mm)	x	x	600 - 2200	2200 - 3000
Manhole width (mm)	40 - 110	60 - 110	40 - 110	60 - 110
Chain Ø (mm)	6			
Chain grade	80			

**Particular instructions**

- The slings provided by Topal Industries (1500 mm per leg) are adapted to manholes with diameter/ length inferior to 2200 mm.
- In case we do not deliver the chain sling, use a model similar to the one we recommend.
- Use with a set of 3 hooks is recommended for handling circular manholes.
- Use in set of 3: the hooks should be evenly positioned on the edge of the manhole (120° spacing).
- Use in pairs: maxi WLL 1000 kg/ pair ; make sure the hooks are facing each other.
- Do not turn over manholes with those hooks.
- Working temperature: -20° to +100°C.

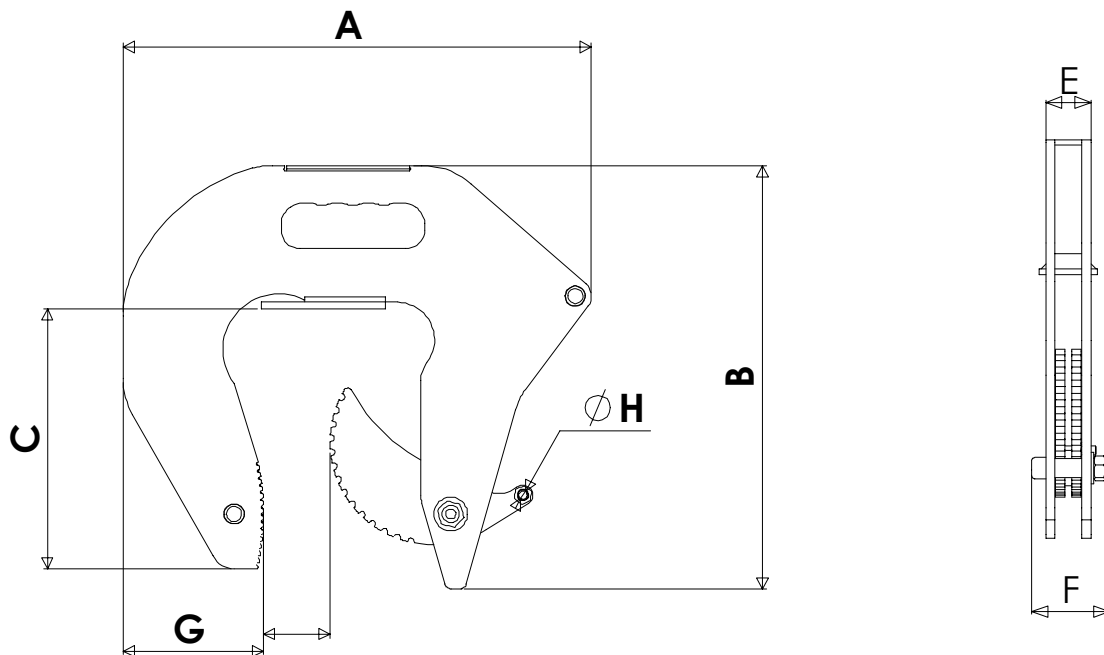
**General characteristics**

- No bearing weld.
- Hot epoxy coating.
- Safety factor: 4 in accordance with the European Handling Federation (1998 FEM 3<sup>rd</sup> edition) ; working group A5 and lifting speed 60 m/ mn.

**Dimensional characteristics**

Ref.	Group code	Unit WLL kg	Opening		A	B	C	E	F	G	Ø H	I	J	Ø K	Unit weight kg	
			min	max												
RB1,5 40-110	50728	500	40	110	376	340	210	39	67	116	6	X	X	X	9,3	
RBE 1500	50738	1 500	3-legged chain sling/ L=1500 mm/ Ø 6 mm / grade 80										135	75	18	5,1
RBE1	52468	1 000	2-legged chain sling/ L=1500 mm/ Ø 6 mm/ grade 80										110	60	13	2,8
RB1,5-E-3	54068	1 500	Set of 3 RB1,5 hooks assembled on a 3-legged chain sling												33	
RB1,5-E-2	54078	1 000	Pair of RB1,5 hooks assembled on a 2-legged chain sling												21,4	

Dimensions in mm



**Options on request**

- Chain slings with length other than 1500 mm per leg.

