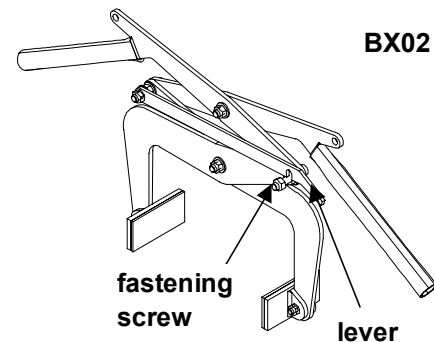
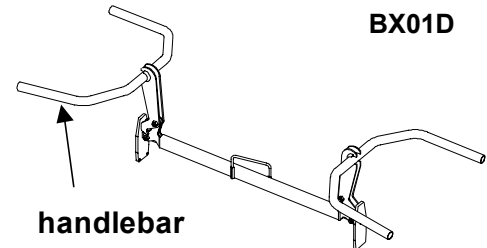
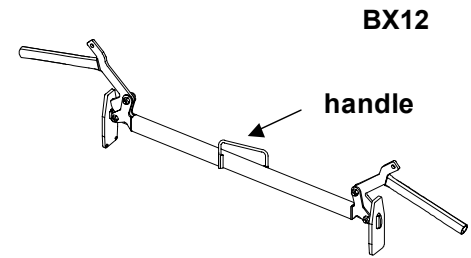
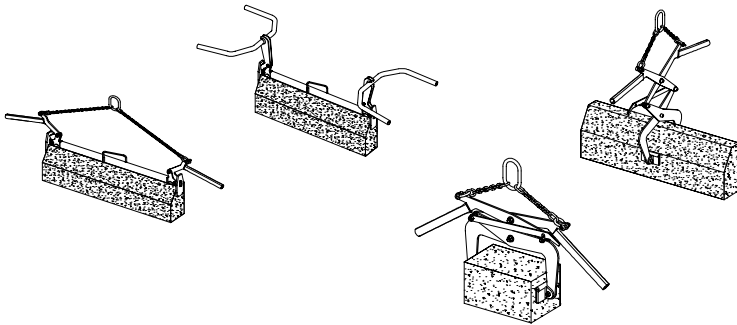


Applications

BX12: manual handling or handling with lifting machine of concrete kerbstones with standard 1000 mm length.
 BX01D: manual handling of concrete kerbstones with standard 1000 mm length.
 BX02: manual handling or handling with lifting machine of concrete elements – particularly kerbstones - with width from 120 to 300 mm.



Description

BX12 and BX01D: these models are equipped with handles so as to facilitate their transport.
 BX01D: 2 handlebars make manual handling easier.
 BX02: this clamp is fitted with an automatic lower lock and rubber coated pads ensure a great adherence without marking the load.
 BX12 and BX02 are fitted with lifting eyes which enable two-legged slinging.
 Clamping is proportional to the load, minimising the damage risk.

Functioning

BX12: (when handling with lifting machine, hang the clamp, which has previously been slinged*) place the clamp on the kerbstone lengthwise and perform lifting.
 BX01D: fit the clamp onto the kerbstone lengthwise and perform lifting.
 BX02: (when handling with lifting machine, hang the clamp, which has previously been slinged*) fit the clamp – locked open – onto the kerbstone widthways. Lift up the lever whilst starting off the lift and keep it up to prevent it from locking again onto the fastening screw. When laying down, the clamp automatically locks itself in the open position.

* see chart with dimensional characteristics

Particular instructions

- Pads must be free from grease or oil.
- Do not lift greasy or oily pieces.
- When manually handling, operators must perform the lift simultaneously.
- BX12 and BX01D: working temperature: -20° to +100°C.
- BX12 and BX01D: do not lift loads with length other than 1 meter within a tolerance of ± 10 mm.
- BX01D: this model cannot be used with a lifting machine.
- BX02: working temperature: -20° to +90°C.

General characteristics

- No load bearing welds.
- Hot epoxy coating.
- Safety factor: 4 in accordance with the European Materials Handling Federation (1998 FEM 3^d edition) ; working group A5 and lifting speed 60 m/ mn.

Dimensional characteristics

Ref.	Group code	WLL kg	Opening		A max	B	Hole Ø	Chain sling L	C		E		F		G	H	I	J	K	L	M Ø	Weight kg			
			min	max					min	max	min	max	min	max											
BX12 1000	54008	120	1000		1685	10	12	660	1024		89		308		195	16	16	X	X	X	X	8,5			
BXE1	54018	120	2-legged chain sling for BX12/ L=660 mm/ Ø 6 mm/ grade 80 fitted with HR 0,75 t shackles																			110	60	13	2
BX01D 1000	50018	100	1000		1731	10	X	X	1024		89		308		195	10	10	X	X	X	X	13,5			
BX02 120 300	50028	200	120	300	944	13	12	290	397	450	190	215	398	686	60	120	16	80	X	X	X	10,5			
BXE2	54038	200	2-legged chain sling for BX02/ L=290 mm/ Ø 6 mm/ grade 80 fitted with HR 0,75 t shackles																			110	60	13	1,5

Dimensions in mm

