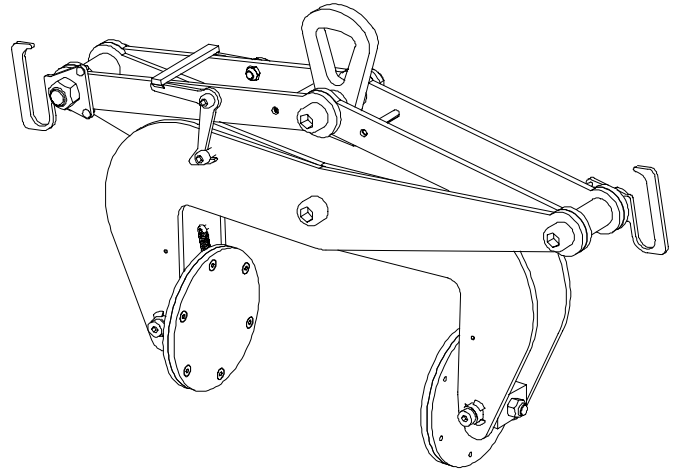
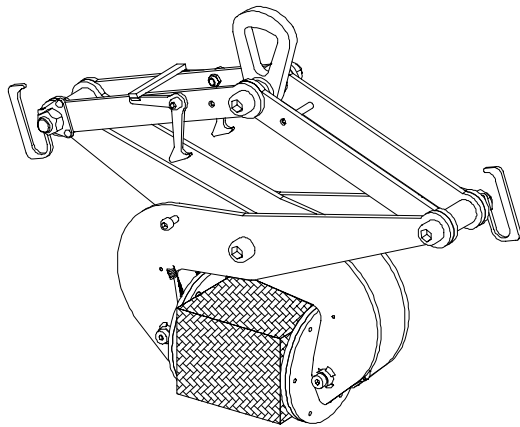


Applications

Lifting and turning without marring of loads with parallel sides made of various materials such as wood, concrete, steel, plastic, rock...



Description

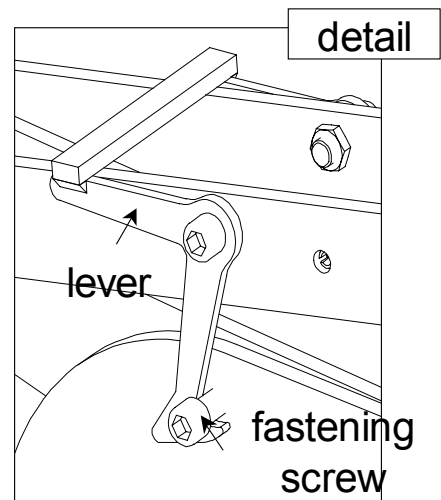
These accessories are fitted with an open position locking system allowing to lay down the load without any manual intervention. Polyurethane coated pads ensure a great adherence and avoid load marring ; articulated and pivoting, they also enable load turning. Transport handles make the positioning easier. Clamping is proportional to the load, thus minimising the damage risk.

Functioning

Place the clamp locked open over the load. Lift up the lever, while starting off the lift and hold it in the up position to prevent it from locking again against the fastening screw. When laying down, the clamp automatically locks itself open.

Particular instructions

- Make sure the pads are free from grease or oil.
- Degrease the pads regularly.
- Do not lift greasy or oily pieces or with smooth surface (eg. polished marble).
- Only lift one load at a time.
- Do not lift blocks with a size exceeding the opening capacity of the clamp used.
- Working temperature: -20° to +90°C.



General characteristics

- Manufacture without load bearing welds.
- Hot epoxy coating.
- Safety factor: 4 in accordance with the European Materials Handling Federation (1998 FEM 3rd edition) ; working group A5 and lifting speed 60 m/ mn.

Dimensional characteristics

Ref.	Group code	WLL kg	A		B		C		D	E	Opening		G	H	I	J	K	Weight kg
			min	max	min	max	min	max			min	max						
ZAC1.5 60-250	51288	1500	427	526	505	922	815	955	32	112	60	250	200	29	65	82	20	46
ZAC1.5 250-390	51298	1500	640	696	590	880	940	976	32	112	250	390	200	29	65	82	20	54
ZAC1.5 390-650	51308	1500	840	973	630	1175	990	1150	32	112	390	650	200	29	65	82	20	62
ZAC1.5 600-1000	51318	1500	1115	1350	640	1550	1155	1450	32	112	600	1000	200	29	65	82	20	84
ZAC1.5 700-1250	51328	1500	1400	1735	785	2135	1660	2090	32	112	700	1250	200	29	65	82	20	129

Dimensions in mm

