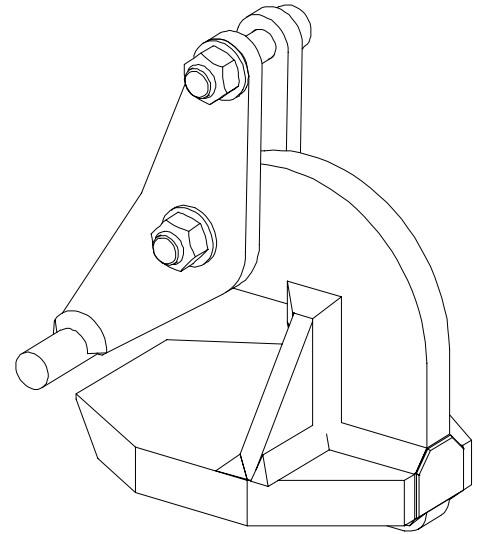
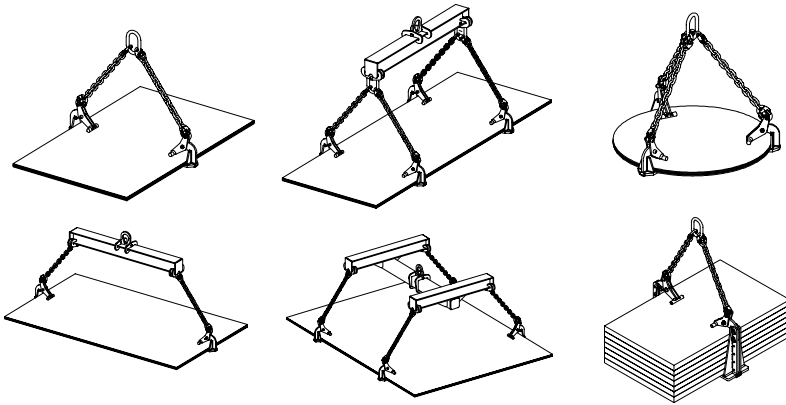


**Applications**

Lifting of horizontal plates or sheets (individual or bundles), circular plates or fabricated assemblies.



**Description**

Accessories equipped with a tip up lever ensuring the clamping of the load.  
Slings not provided.

**Functioning**

Use in pairs for lifting horizontal plates or sheet metals, individual or in bundles:

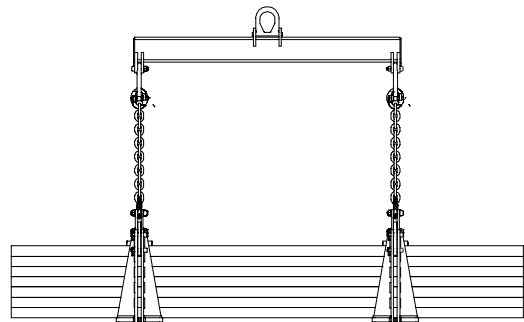
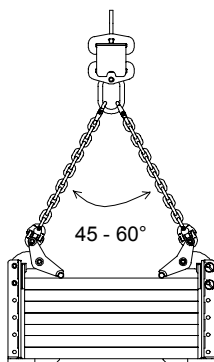
- 1 pair with a 2-legged sling
- several pairs with 2-legged slings and lifting beam.

Use in 3s with a 3-legged sling for lifting round sheet metals.

Fit the load into the clamps, making sure they are evenly distributed onto the piece to be lifted. Lifting ensures the clamps' locking. Clamping is proportional to the load lifted, thus avoiding an excessive marking.

**Particular instructions**

- The plate or piece to be lifted must always be driven home into the throat of the clamp.
- The load must be rigid enough not to bend during handling operations.
- Adhere to the recommended sling angles.
- If the sling angle exceeds 60°, use a clamp with a higher WLL according to the tension increase in the sling's leg.
- Line up the slings in the same plane as the clamps.
- Working temperature: -20° to +100°C.



**General characteristics**

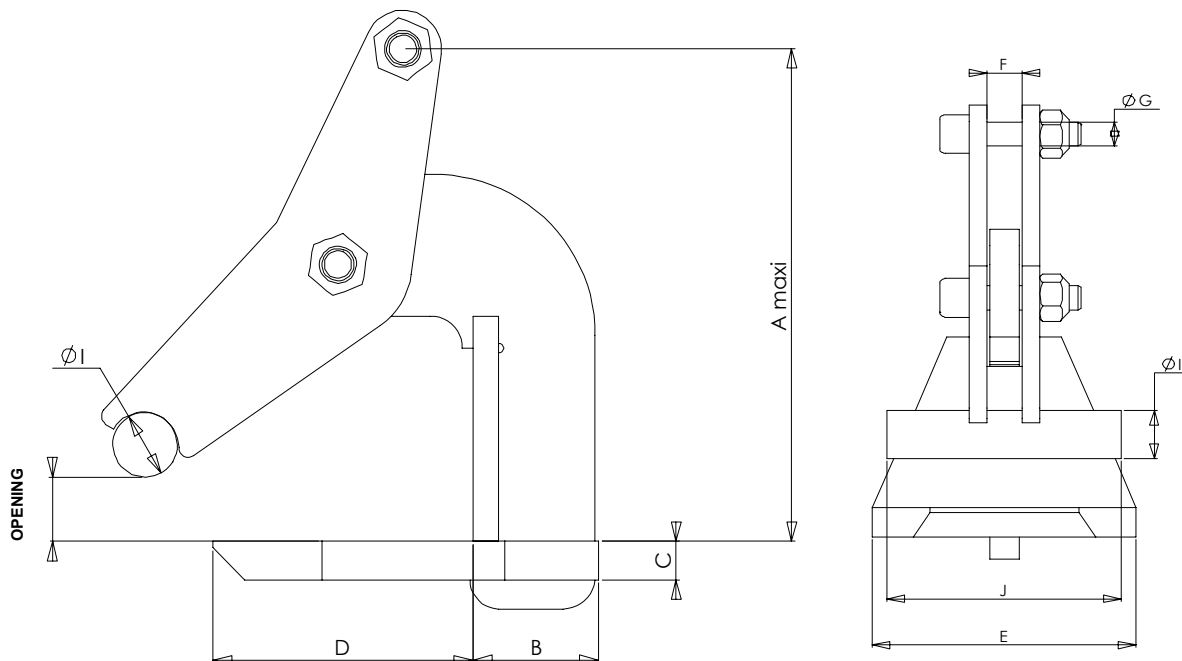
- Hot epoxy coating.
- Safety factor: 4 in accordance with the European Materials Handling Federation (1998 FEM 3<sup>rd</sup> edition) ; working group FEM A5 and lifting speed 60 m/ mn.

**Dimensional characteristics**

Ref.	Group code	WLL/ pair kg	Opening		A	B	C	D	E	F	G	I	J	Sling angle		Min chain* Ø	Weight/ pair kg
			min	max										min	max		
TLH1 0-60	51038	1 000	0	60	155	40	12	80	90	12	10	20	80	45°	60°	6	5
TLH1 0-120	51048	1 000	0	120	255	50	12	120	140	12	12	20	120	45°	60°	6	10
TLH2 0-60	51058	2 000	0	60	165	53	20	100	119	14	12	20	100	45°	60°	8	10
TLH2 0-120	51068	2 000	0	120	260	60	15	120	179	14	12	20	150	45°	60°	8	15
TLH3 0-60	51078	3 000	0	60	182	60	20	100	125	16	12	20	100	45°	60°	10	11,5
TLH3 0-150	51088	3 000	0	150	324	70	20	150	180	18	16	30	150	45°	60°	10	26,5
TLH4 0-60	51098	4 000	0	60	192	69	25	110	125	22	16	20	100	45°	60°	10	16
TLH4 0-150	51108	4 000	0	150	345	74	25	150	159	22	16	30	130	45°	60°	10	33,4
TLH5 0-60	51118	5 000	0	60	197	75	25	120	150	22	16	20	130	45°	60°	13	20
TLH5 0-150	51128	5 000	0	150	357	80	25	151	200	22	20	30	160	45°	60°	13	42,5
TLH10 0-60	51138	10 000	0	60	205	80	30	119	170	35	24	30	120	45°	60°	16	30
TLH10 0-150	51148	10 000	0	150	368	100	30	160	240	35	24	30	180	45°	60°	16	60

\* provide a 2-legged chain sling grade 80 per pair of clamps, imperatively assembled onto a coupling at the end of each leg.

Dimensions in mm



- Polyurethane coating on the clamps' upright, bearing plate and lever.
- Chain/ cable slings.