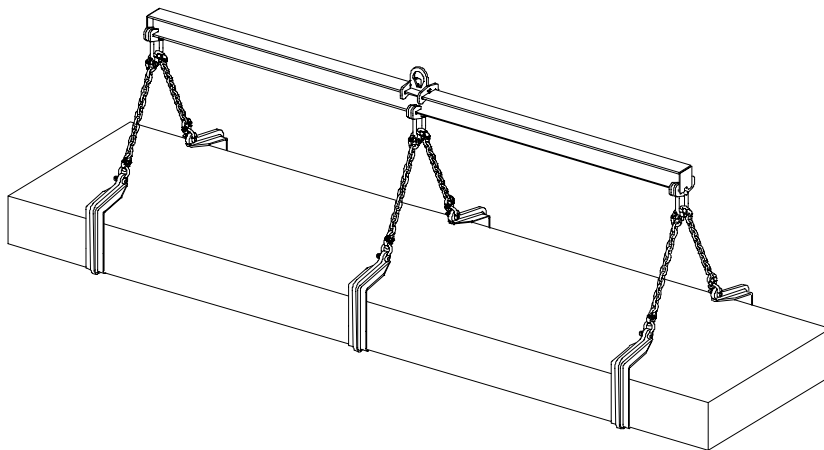
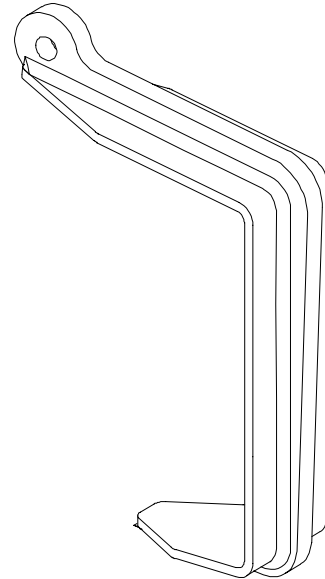
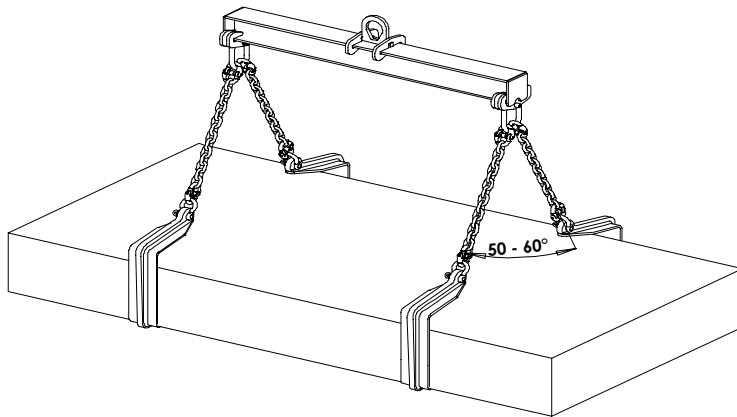


Applications

Lifting of horizontal plates (individual or bundles).



Description

These accessories allow handling thick loads thanks to their opening up to 300 mm.
Slings not provided.

Functioning

Use in 4s with two 2-legged slings and lifting beam.

Place the load into the hooks, distributing them evenly and perform lifting.

Particular instructions

- The load must always be driven home into the throat of the hook.
- Adhere to a sling angle included between 50° and 60° (ie ½ sling angle included between 25° and 30°).
- Do not separate sheets with the hooks' end.
- Working temperature: -20° to +100°C.

General characteristics

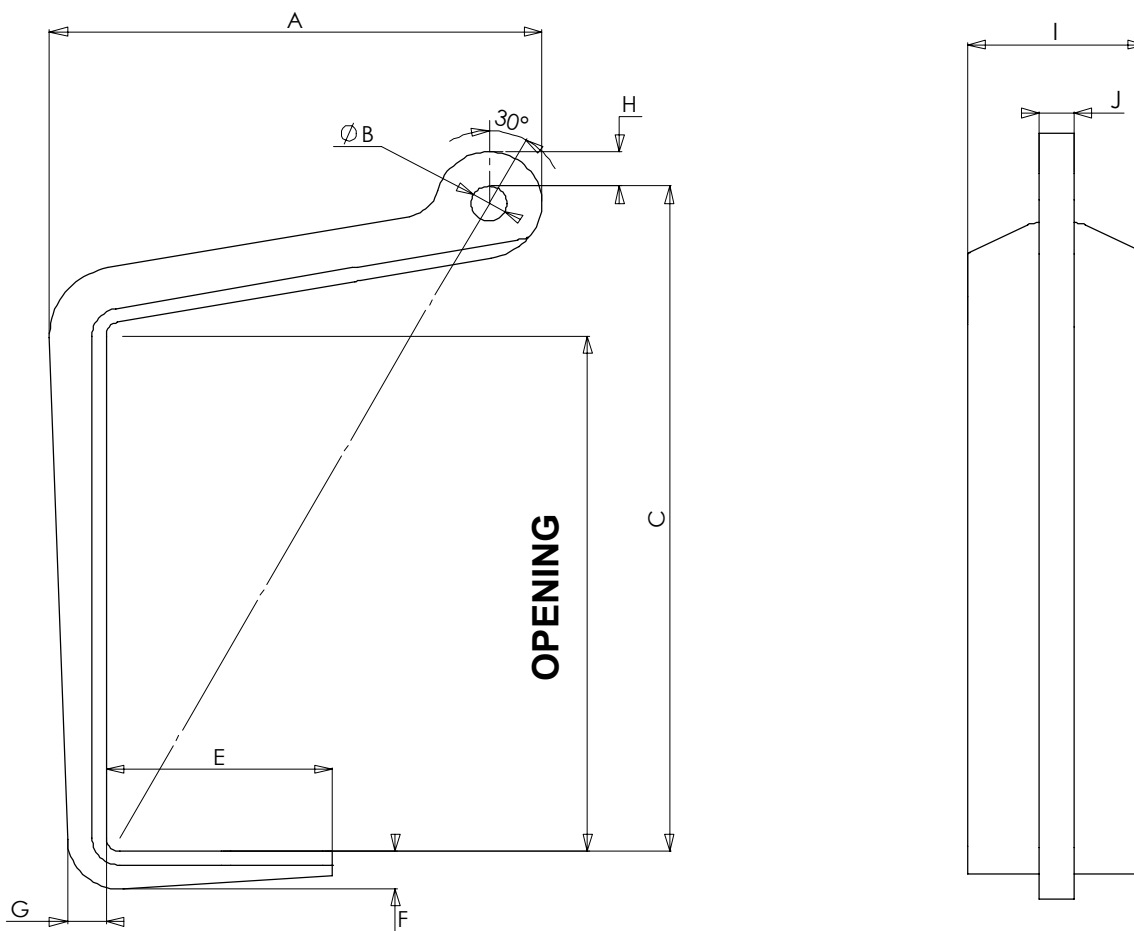
- Manufacture without load bearing welds.
- Hot epoxy coating.
- Safety factor: 4 in accordance with the European Materials Handling Federation (1998 FEM 3rd edition) ; working group A5 and lifting speed 60 m/ mn.

Dimensional characteristics

Ref.	Group code	WLL/ pair kg	Opening		A	B	C	E	F	G	H	I	J	Sling angle		Min chain* ∅	Weight/ pair kg
			min	max										min	max		
QS1,5 0-300	50678	1 500	0	300	279	20	387	128	22	22	20	100	20	50°	60°	8	13
QS3 0-300	50688	3 000	0	300	305	20	410	120	40	40	20	100	20	50°	60°	10	18
QS6 0-300	50698	6 000	0	300	380	20	410	120	50	50	26	100	25	50°	60°	13	30

* provide a 2-legged chain sling grade 80 per pair of hooks

Dimensions in mm



Options on request

- Chain/ cable slings.