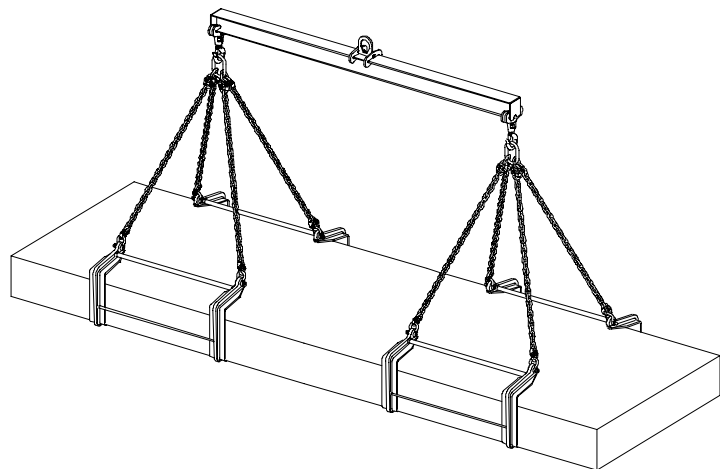
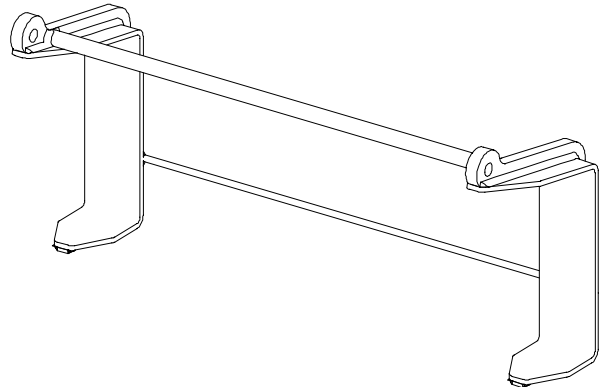
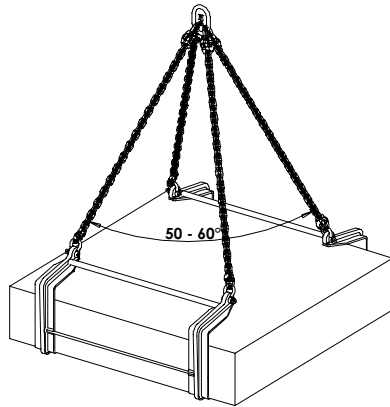


**Applications**

Lifting of horizontal plates or sheets (individual or bundles).



**Description**

These double hooks avoid the use of a lifting beam. Their large bearing surface permits to reduce plate bending. Handling loads up to 300 mm thickness is possible thanks to the wide opening. Slings not provided.

**Functioning**

Use in pairs with a 4-legged sling.

Place the load into the hooks, distributing the latters evenly and perform lifting.

**Particular instructions**

- The load must always be driven home into the throat of the hooks.
- Adhere to a sling angle included between 50° and 60° (ie ½ sling angle included between 25° and 30°).
- Do not separate sheets with the hooks' end.
- According to the load's length and weight, provide 1 or more pair(s) of hooks to perform lifting.
- Working temperatures: -20° to +100°C.

**General characteristics**

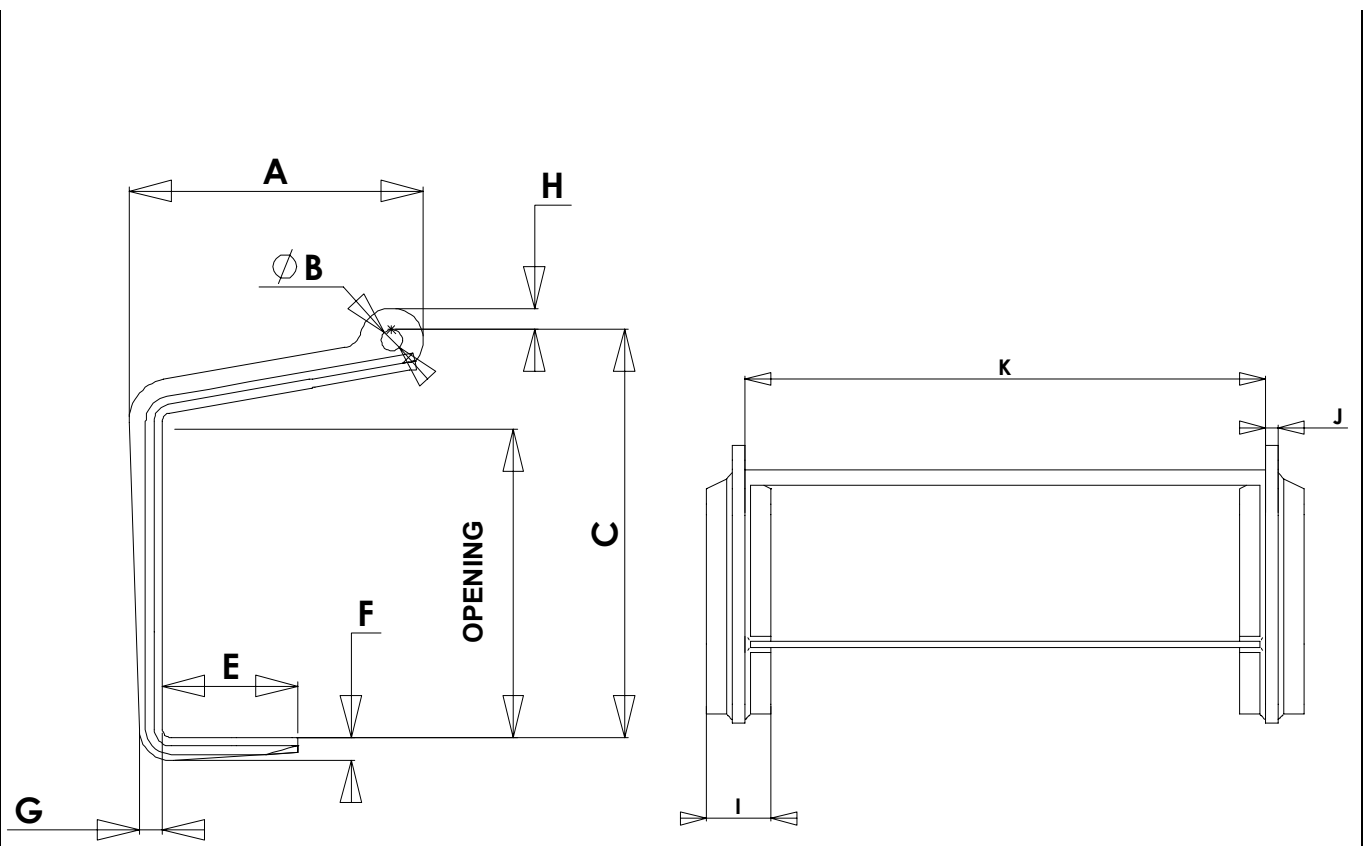
- Manufacture without load bearing welds.
- Hot epoxy coating.
- Safety factor: 4 in accordance with the European Materials Handling Federation (1998 FEM 3<sup>rd</sup> edition) ; working group A5 and lifting speed 60 m/ mn.

**Dimensional characteristics**

Ref.	Group code	WLL/ pair kg	Opening		A	B	C	E	F	G	H	I	J	K	Sling angle		Min chain* ∅	Weight/ pair kg
			min	max											min	max		
QR3 0-300	50648	3 000	0	300	279	20	387	128	22	22	20	100	20	800	50°	60°	8	33
QR6 0-300	50658	6 000	0	300	305	20	410	120	40	40	20	100	20	800	50°	60°	10	46
QR12 0-300	50668	12 000	0	300	380	20	410	120	50	50	26	100	25	800	50°	60°	16	115

\* provide a 4-legged chain sling grade 80 per pair of hooks

Dimensions in mm



**Options on request**

- Chain/ cable slings.