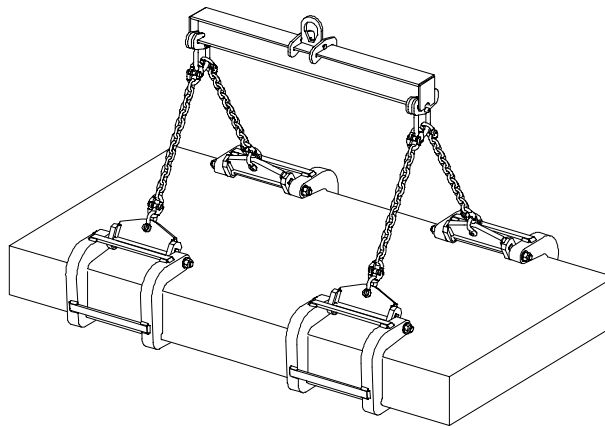
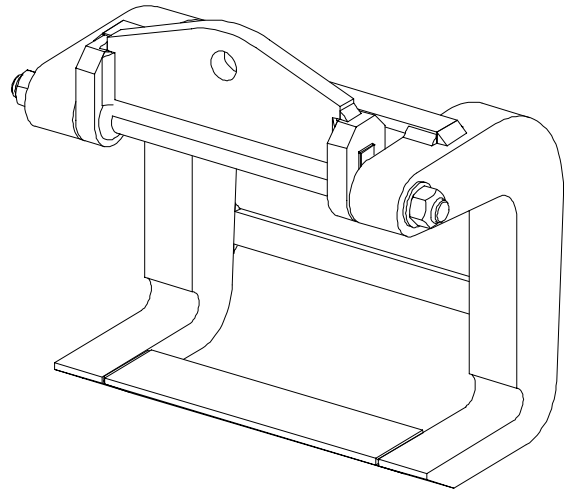
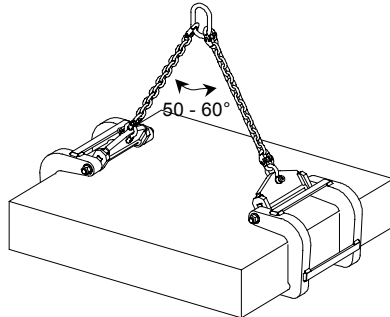


Applications

Separation and lifting of horizontal plates
(individual or bundles).



Description

These double hooks avoid the use of a lifting beam. Their pivoting eye permits to pull in the sling direction always ; plate bending is reduced thanks to the large load bearing surface. The positioning is made easier thanks to the handle.
Slings not provided.

Functioning

Use in pairs with a 2-legged sling.
Fit the load into the hooks, making sure the latters are evenly distributed and perform lifting.
Sheets may be separated thanks to the hooks' sharp end.

Particular instructions

- The load must always be driven home into the throat of the hooks.
- Load minimum width 390 mm.
- Adhere to a sling angle included between 50° and 60° (ie ½ sling angle included between 25° and 30°).
- According to the load's length and weight, provide 1 or more pair(s) of hooks to perform lifting.
- Do not use for separating fragile loads.
- Separate only 1 plate at a time.
- Working temperature: -20° to +100°C.

General characteristics

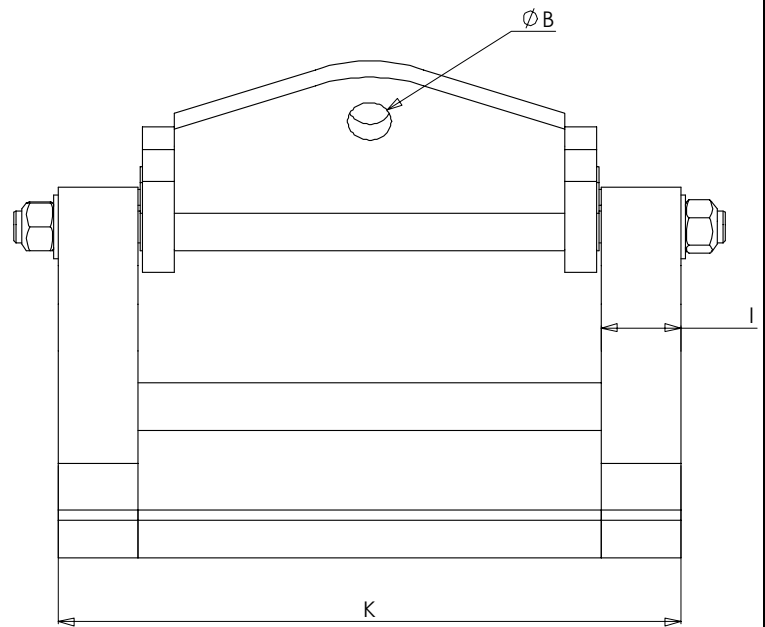
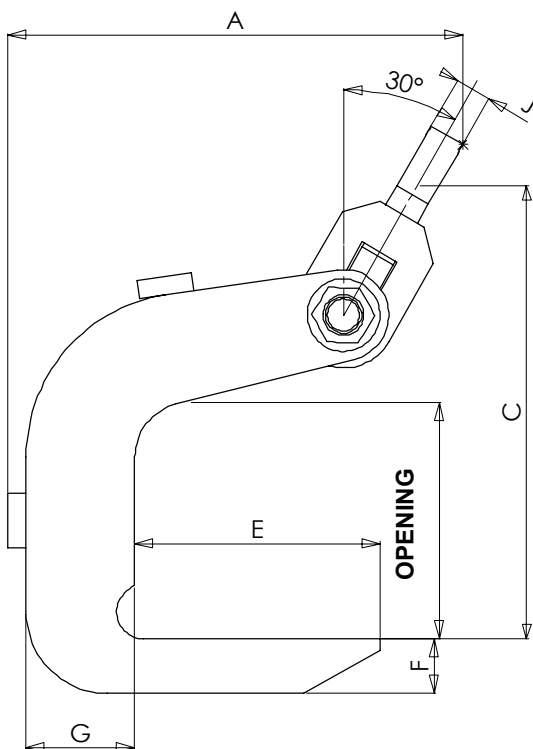
- Manufacture without load bearing welds.
- Hot epoxy coating.
- Safety factor: 4 in accordance with the European Materials Handling Federation (1998 FEM 3rd edition) ; working group A5 and lifting speed 60 m/ mn.

Dimensional characteristics

Ref.	Group code	WLL/ pair kg	Opening		A	B	C	E	F	G	I	J	K	Sling angle		Min chain* ∅	Weight/ pair kg
			min	max										min	max		
QX10 120	50708	10 000	0	120	250	27	317	135	30	60	50	20	390	50°	60°	18	60
QX10 210	50718	10 000	0	210	285	27	384	135	30	60	50	20	390	50°	60°	18	76

* provide a 2-legged chain sling grade 80 per pair of hooks

Dimensions in mm



Options on request

- Larger capacity and/ or opening.