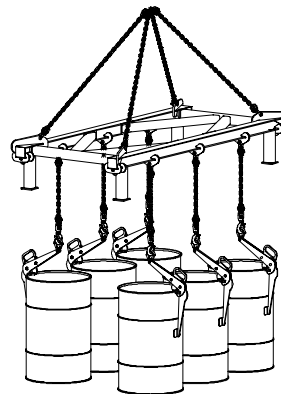
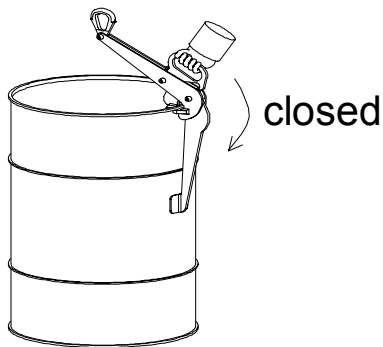
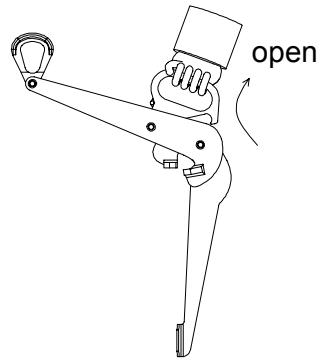
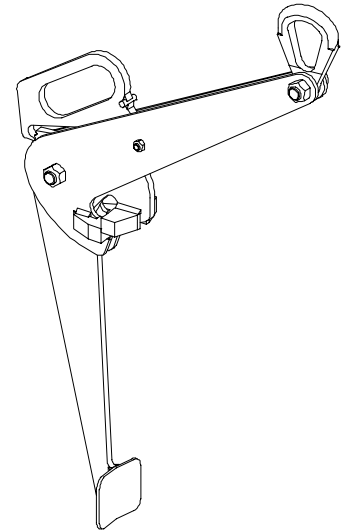


Applications

Lifting of steel drums with rim diameter 600 mm – full or empty - in vertical position.
Use in multiples with lifting beam possible.



Description

Accessories equipped with a system of rim pinching. The handle makes the clamp's positioning and unlocking onto the drum easier. Clamping is proportional to the load, thus minimising the damage risk.

Functioning

Position the clamp's jaws onto the drum's rim and perform lifting. An automatic safety lock immobilizes the clamp ready to use on the drum. Lifting can be performed. The operator must activate the handle so as to unlock the clamp.

Particular instructions

- Only lift standard steel drums with rim with VLF clamp.
- Never turn drums with these clamps.
- VLF is not suitable for plastic drums.
- Drum deformation risk in case of lifting with open drums (without lid).
- Working temperature: -20° to +100°C.

General characteristics

- Manufacture without load bearing welds.
- Hot epoxy coating.
- Safety factor: 4 in accordance with the European Materials Handling Federation (1998 FEM 3rd edition) ; working group A5 and lifting speed 60 m/ mn.

Dimensional characteristics

Ref.	Group code	WLL kg	Drum Ø	A	B	C	D	E	F	G	H	I	J	K	L	Weight kg
VLF05 600	51268	500	600	323	114	417	51	121	52	18	69	80	16	70	90	6,6
VLF08 600	51278	800	600	345	132	420	46	128	52	18	69	91	16	70	90	8,9

Dimensions in mm

