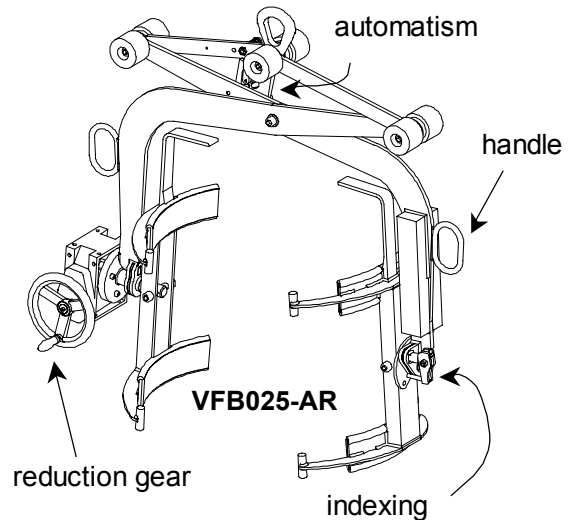
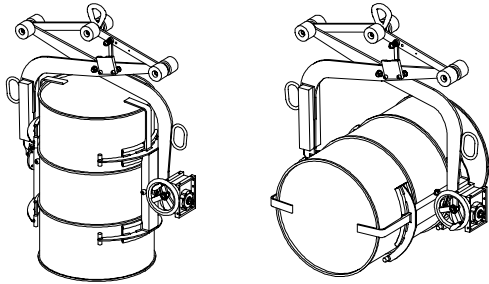


Applications

Lifting and turning steel drums – full or empty - diameter 600 mm (capacity 225 l).
The drum may be clamped vertically or horizontally.



Description

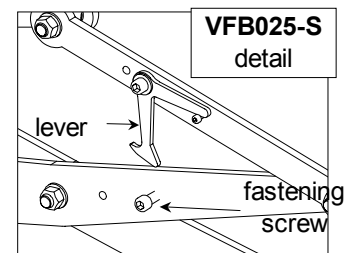
VFB025-S: this model is equipped with an open position automatic locking so as to lay down the drum without any intervention on the clamp.

VFB025-A: this model is equipped with an automatic system allowing the drum's gripping and laying down without any intervention on the clamp.

VFB025-AR: on top of the automatism, this model is fitted with a reduction gear so as to turn and empty the drum progressively and effortlessly.

All VFB have an indexing allowing to maintain the drum horizontally or vertically. Rubber coated pads ensure a great adherence and avoid drums' marking. Handles make the positioning easier.

Clamping is proportional to the load, thus minimising the drum deformation risk.



Functioning

VFB025-S: place the open clamp over the drum. So as to perform lifting, the operator should activate the lever, holding it in the up position, while starting off the lift. Manual drum turning after unlocking of both indexing fingers. When laying down the load, the clamp automatically locks itself open.

VFB025-A: place the open clamp over the drum and activate the lifting means. The clamp automatically grips the load. Manual drum turn after unlocking of both indexing fingers. When laying down the load, the operator must lower the clamp completely down on the drum so as to activate the locking system automatism. The clamp is then locked open.

VFB025-AR*: VFB025-A model equipped with a reduction gear so as to empty the drum gradually and effortlessly (demultiplication factor about 1/64th).

* this model is fitted with a single indexing finger.

Particular instructions

- Make sure the pads are free from grease or oil.
- Degrease the pads regularly.
- Do not lift greasy or oily drums.
- Not suitable for plastic drums.
- Do not lift drums with sizes exceeding the opening capacity of the clamp used.
- Make sure jaw reinforcements are above the drum in horizontal position, otherwise the clamp cannot be removed once the drum has been laid down.
- When handling and transporting the drum, make sure the indexing finger(s) are(is) well locked so as to prevent the load untimely turning.
- Working temperature: -20° to +90°C.

General characteristics

- Manufacture without load bearing welds.
- Hot epoxy coating.
- Safety factor: 4 in accordance with the European Materials Handling Federation (1998 FEM 3rd edition) ; working group A5 and lifting speed 60 m/ mn.

Dimensional characteristics

Ref.	Group code	WLL kg	Drum \varnothing	A	B	C	D	E	F	G	H	I	J	Weight kg
VFB 025 S	51218	300	600	465	946	730	930	20	86	425	80	64	23	53
VFB 025 A	51228	300	600	465	946	730	930	20	170	425	80	64	23	58
VFB 025 AR	51238	300	600	465	1175	730	930	20	170	425	80	64	23	80

Dimensions in mm

