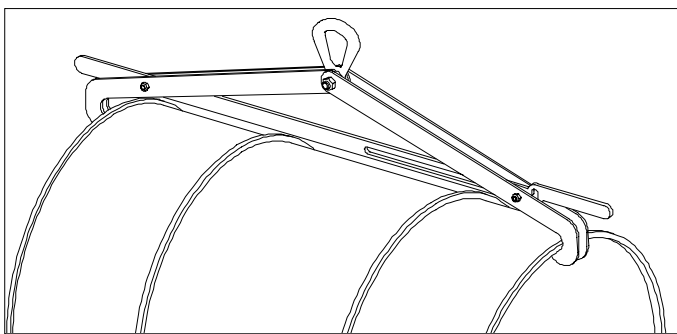
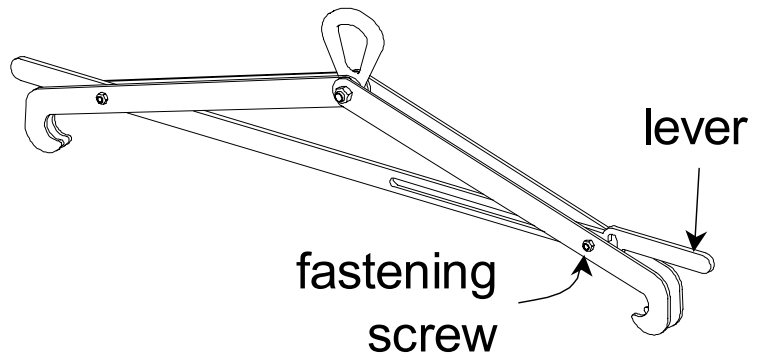


Applications

Lifting of standard steel drums with edges in horizontal position and with length 440 to 920 mm.



Description

Accessory equipped with an automatic locking system allowing the drum's laying down without any manual intervention. Clamping is proportional to the load, thus minimising the damage risk to the drum.

Functioning

Place the clamp locked open over the drum. Lift up the lever while starting off the lift and holding it in the up position to prevent it from locking again against the fastening screw. When laying down, the clamp automatically locks itself open.

Particular instructions

- Only lift standard steel drums with edges on each side with HF clamp.
- Never turn drums thanks to this clamp.
- HF is not suitable for plastic drums.
- For safety's sake, transport the clamps by its red hook ring in the open position (activated lock).
- Working temperature: -20° to +100°C.

General characteristics

- Manufacture without load bearing welds.
- Hot epoxy coating.
- Safety factor: 4 in accordance with the European Materials Handling Federation (1998 FEM 3rd edition) ; working group A5 and lifting speed 60 m/ mn.

Dimensional characteristics

Ref.	Group code	WLL kg	Opening		A	B	C	D	E		F		G		H	I	Weight kg
			min	max					min	max	min	max	min	max			
HF05 440 920	50208	500	440	920	52	69	18	12	564	1003	1088	1088	568	300	60	32	5,6

Dimensions in mm

