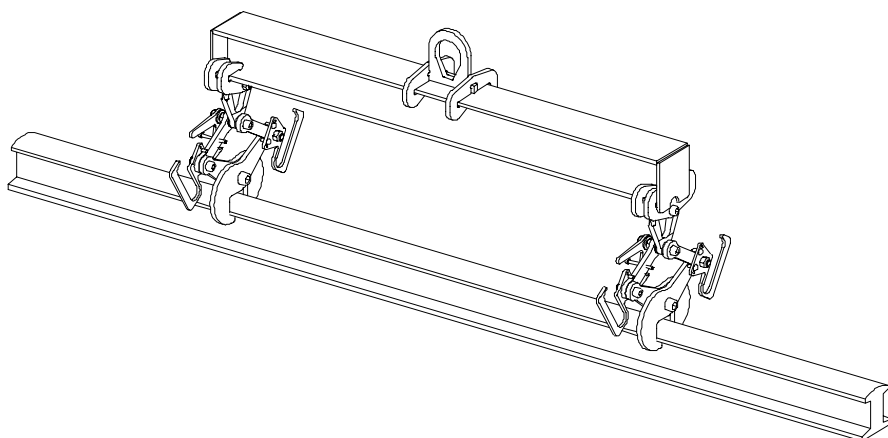
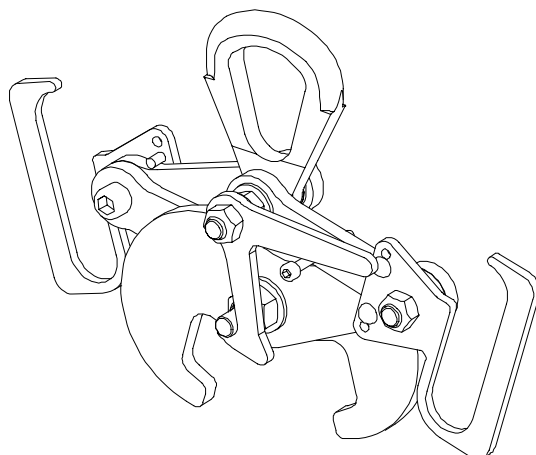
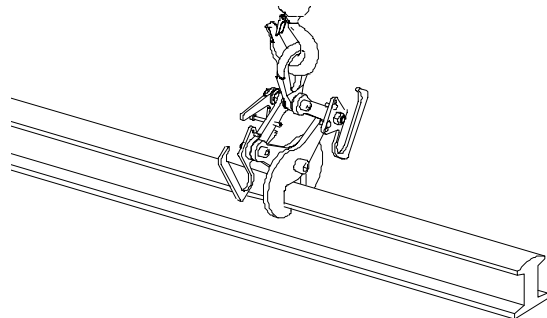


Applications

Lifting of Vignole type rails from 15 to 30 kg/ m and up to 36 to 60 kg/ m.



Description

These accessories are fitted with an open position locking system allowing to lay down the load without any manual intervention.

Functioning

Place the clamp locked open over the rail. Lift up the lever while starting off the lift and hold it in the up position to prevent it from locking again against the fastening screw. When laying down, the clamp automatically locks itself open.

Particular instructions

- Only lift one load at a time.
- Vertical traction only.
- Use in pairs with lifting beam recommended.
- Working temperature: -20° to +100°C.

General characteristics

- Manufacture without load bearing welds.
- Hot epoxy coating.
- Safety factor: 4 in accordance with the European Materials Handling Federation (1998 FEM 3rd edition) ; working group A5 and lifting speed 60 m/ mn.

Dimensional characteristics

Ref.	Group code	WLL kg	Opening		A		B		D		E	F		G	H	I	J	K	L	Weight kg
			min	max	min	max	min	max	min	max		min	max							
PR1 20-40	50618	1 000	20	40	292	318	358	385	174	190	40	65	80	69	52	18	16	95	22	3
PR2 40-80	50628	2 000	40	80	385	432	390	443	247	315	50	106	135	80	64	23	20	132	32	8

Dimensions in mm

