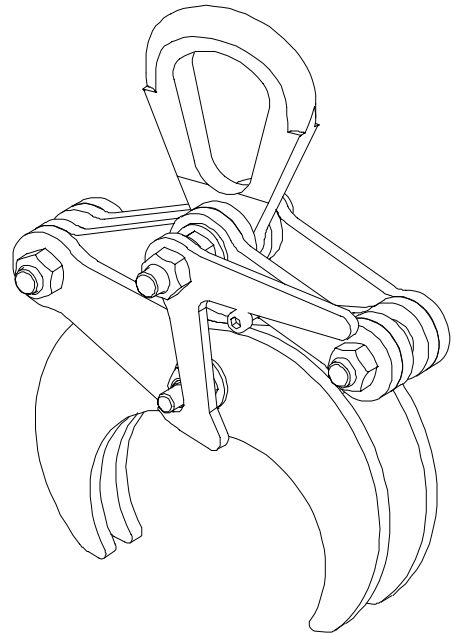
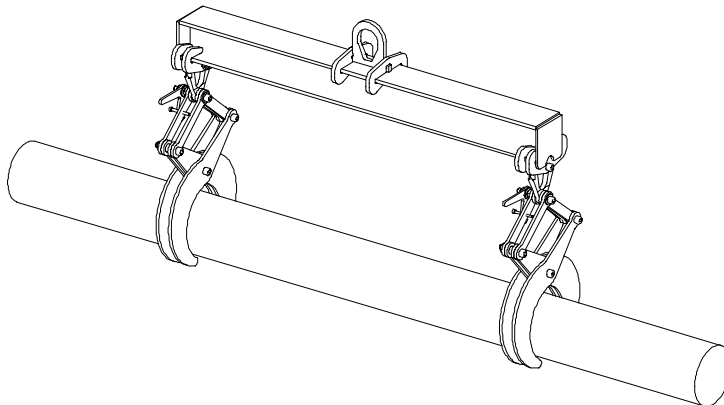


Applications

Lifting of round or square bars, tubes, and various small profiles individually or in hooped bundles.



Description

These accessories are fitted with an open position locking system allowing to lay down the load without any intervention on the clamp.

Functioning

Place the clamp locked open over the load. Lift up the lever and hold it in the up position while starting off the lift to prevent it from locking again against the fastening screw. When laying down, the clamp automatically locks itself open.

Particular instructions

- Use in pairs with a lifting beam recommended.
- Vertical traction only.
- When lifting bundles, ensure each piece is correctly secured by the clamps.
- Working temperature: -20° to +100°C.

General characteristics

- Manufacture without load bearing welds.
- Hot epoxy coating.
- Safety factor: 4 in accordance with the European Materials Handling Federation (1998FEM 3rd edition) ; working group A5 and lifting speed 60 m/ mn.

Dimensional characteristics

Ref.	Group code	WLL kg	Opening		A		B		C		D	E	F	G	H	I	Weight kg
			min	max	min	max	min	max	min	max							
RT05 50-100	50748	500	50	100	314	359	136	170	146	187	100	16	44	69	52	18	4
RT1 100-200	50758	1 000	100	200	475	563	241	318	222	296	100	16	44	69	52	18	9
RT2 200-350	50768	2 000	200	350	745	872	427	544	355	447	100	20	60	80	64	23	27
RT3 250-450	50778	3 000	250	450	839	1010	485	634	546	650	100	20	68	80	64	23	40

Dimensions in mm

