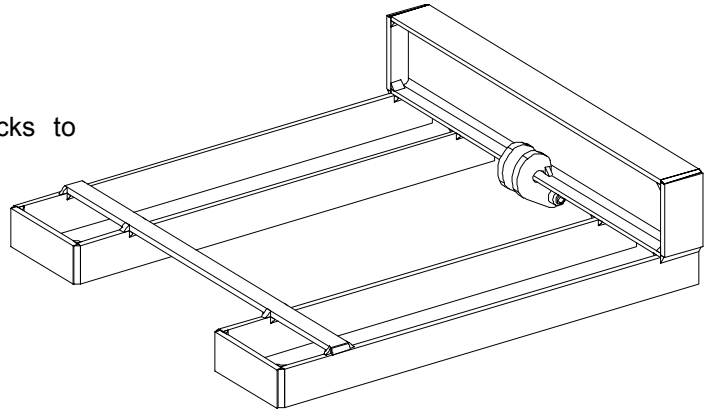
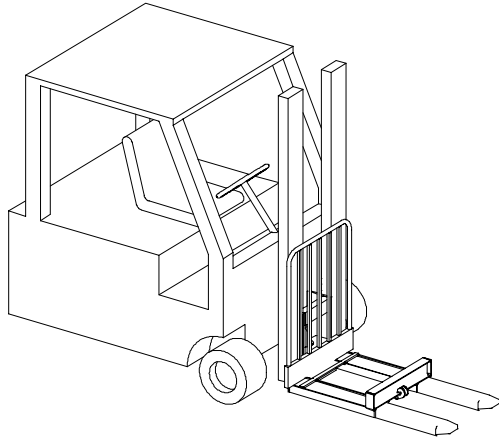


Applications

Provides an hanging point on fork lift trucks to handle loads.



Description

These accessories are fitted with an immobilizing system on the fork lift truck tines ensuring that lifting operations are performed safely.

Functioning

Position the fork lift truck tines to about 50 cm from the floor and check their spacing. Fit the adaptator onto the tines (hanging point downwards) and butt it against the tines' vertical uprights. The adaptator is then immobilized.

Particular instructions

- Ensure the adaptator is correctly driven home against the fork lift truck's tines.
- If Topal Industries does not provide the hook, ensure its WLL is the same as the adaptator one.
- Working temperature: -20° to +100°C.

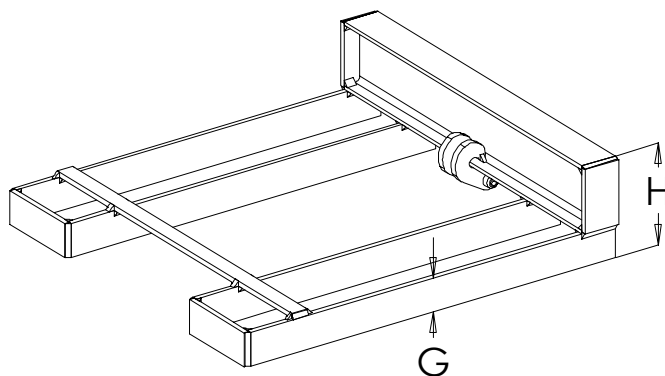
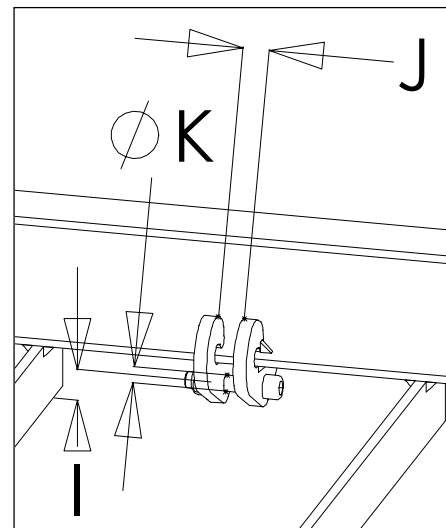
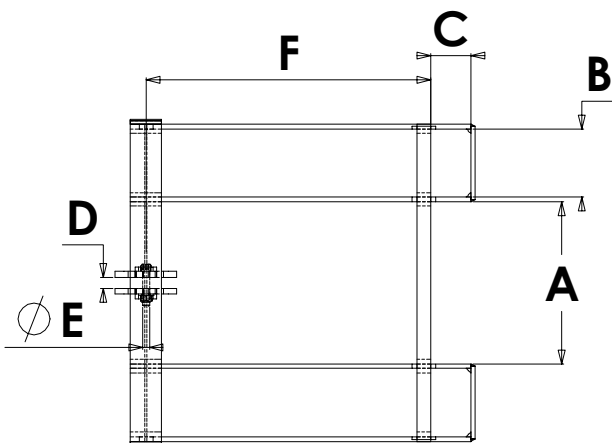
General characteristics

- Manufacture without load bearing welds.
- Hot epoxy coating.
- Safety factor: 4 in accordance with the European Materials Handling Federation (1998 FEM 3rd edition) ; working group A5 and lifting speed 60 m/ mn.

Dimensional characteristics

Ref.	Group code	WLL kg	A	B	C	D	E	F	G	H	I	J	Ø K	Weight kg
PC1,5-120	50528	1 500	284	120	70	20	12	500	50	150	24	20	12	15
PC3-170	50538	3 000	484	170	80	22	16	600	50	170	18	22	16	23
CRE1.6	52338	1 600	HR swivel hook with safety catch											
CRE3.2	52368	3 200												

Dimensions in mm



Options on request

- Other lifting hook adaptator brackets.