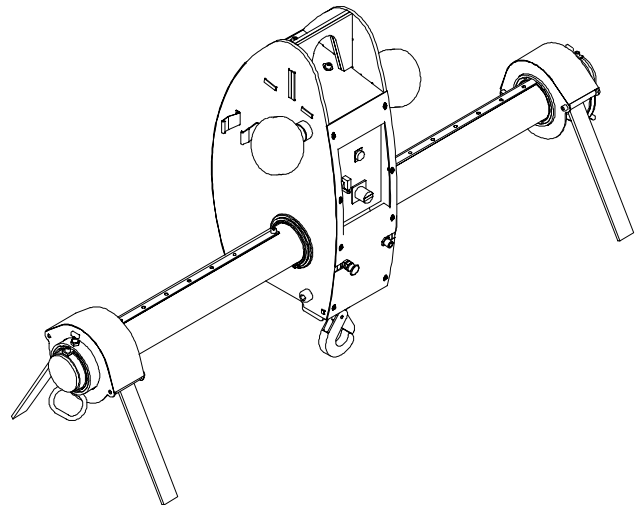


**Applications**

Turning of loads.

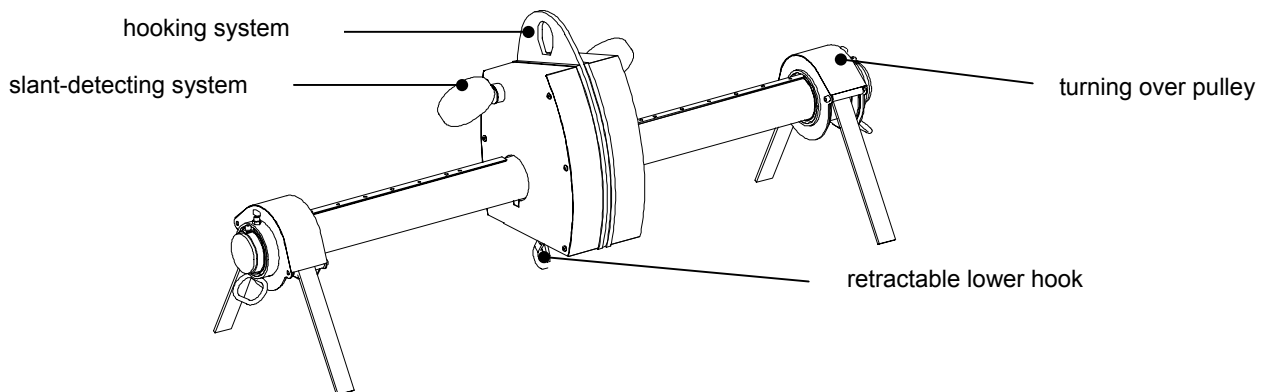
**Description**

pal-turn® is made of a tube rotated by a gear-motor. Pulleys protected by casings are set at both ends and move straps. A control button box enables the functioning of the system. Machine development is possible during life cycle.



**Functioning**

Hang pal-turn® onto the lifting means. Place the straps at the pulleys' base ; adjust the pulleys' position if need be (adjustable model). Once the load is ready, lift it up with the usual lifting means ; check its horizontality then activate pal-turn® thanks to the control button box.

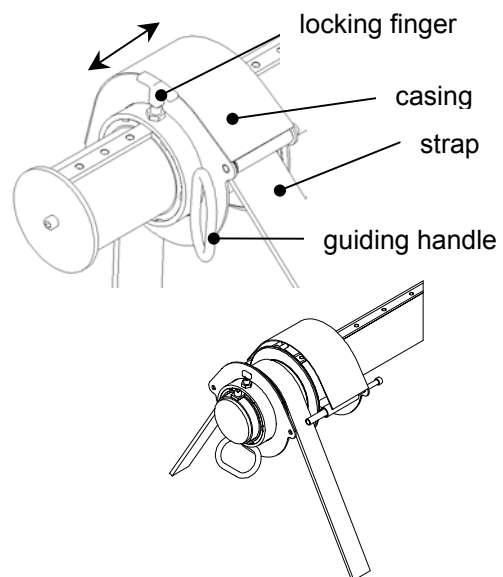


**Hanging system**

So as to adapt pal-turn® to the various installations, there are several upper hooking systems for simple or double hooks.

**Turning over pulleys and adjustment**

So as to increase safety and avoid clogging up, pulleys are protected with steel casings. 2 screws enable the opening of these casings and so free the straps. Pulleys may be fixed or adjustable on the whole length of the tube. An ergonomic device enable their locking through indexing (in case of adjustable pulleys).



Load hold

**1- Textile straps**

pal-turn® functions with flat straps. The choice of the straps' type – endless or with buckles – and its constitution material\* is made according to:

- the load: material, weight, perimeter
- set-up and use conditions
- the adhesion to ½ sling angle included between 0 and 45°.

**\*impregnated straps**

regular loads with no sharp edges

Highly resistant to abrasion and with a high adherence coefficient, they are flexible and long lasting.

**\*coated straps**

restrictive loads with sharp edges

Highly resistant to abrasion and tearing; their adherence coefficient is high and they are very long lasting.

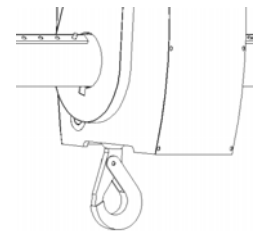
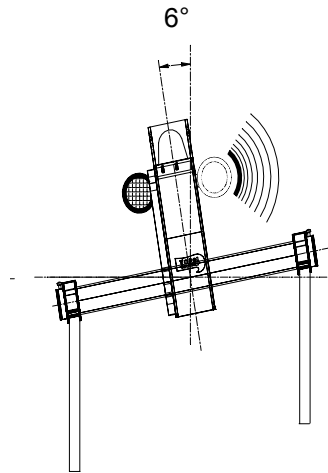
**2- Other load hold type**

pal-turn® may also be developed to function with chains, cables, slings...

Horizontality signalling system

This optional equipment has 2 functions:

- Help the operator when balancing the load
- Notify the operator in case the load be unbalanced during turning operations.



Retractable lower hook

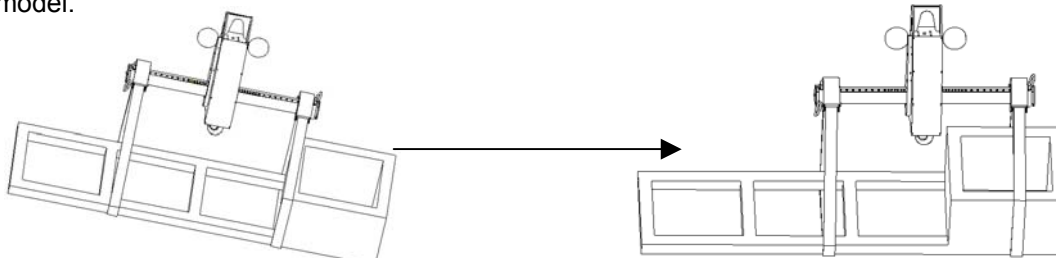
This option allows load lifting without setting down pal-turn®.

Electrical control and supply

- Switch box for protecting the motor and the user (except 1 tonne model)
- Remote control with cable or cordless
- Electrical supply through 3-phase or batteries (multienergy model 2 t max.)
- Single- or double-speed motor
- Standard IP54 electrical protection index (protection against dust: no noxious deposit; protection against water ejections from all directions)/ other index on request.

**Particular instructions**

- When using for rotating continuously, the load goes sideways horizontally over the straps.
- The lifting means hook should be placed above the load gravity centre.
- Make sure the indexing finger is well engaged in the retainer key hole before any use of the adjustable model.



**General characteristics**

- Hot epoxy coating.
- Safety factor in accordance with the European Materials Handling Federation (1998 FEM 3<sup>rd</sup> edition).
- Conformity to current European standards.

**Dimensional characteristics**

WLL t	Min load- centre A	Straps width B	Width D	I	K	L	M	Ring / Pin			Dead height Hp	Weight* kg	Power kW
								Ep	H	J			
1	500	60	530	148	480	175	30	15	80	100	392	210	0.25
2	600	60	660	195	813	224	40	24	98	212	725	360	0.55
5	600	60	660	195	813	224	40	24	98	212	725	375	0.75
10	1000	120	990	92	975	530	100	Ø 55			837	1140	1.50
20	1200	120	1040	226	1170	530	85	30	100	250	1011	1720	3.00

\* indicative weight for a 2500 mm load-centre

Dimensions in mm

